

POWER SYSTEM

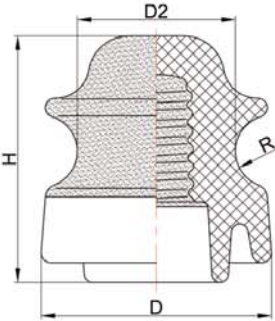


NOTES:

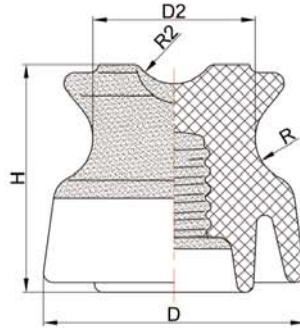
- 1. Surfaces coated with semi-conductive glaze considered as effective leakage surfaces and the distance over them is included in the leakage distance.

3.1 Pin type insulators ANSI C29.5

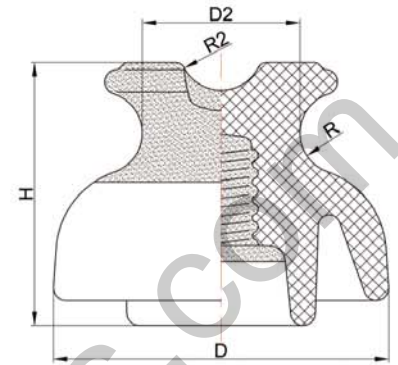
ANSI class		Unit	55-1		55-2	
Figure No.			3.1.1		3.1.2	
Insulator type			Plain	Radio Freed	Plain	Radio Freed
Neck Designation			C		C	
Rating Voltage (U.S.Practice)		kV	7.2		7.2	
Creepage distance		inches	4		5	
Dry-arcing distance		inches	2-1/4		3-3/8	
Dimensions	H	inches	2-7/8		3-1/4	
	D	inches	3-1/4		3-3/4	
	D2	inches	2-1/4		2-1/4	
	R	inches	1/2		5/8	
	R2	inches	/		5/8	
Cantilever strength		pounds	3000		2500	
Low-frequency flashover voltage	dry	kV	35	35	50	45
	wet	kV	20	20	25	25
Critical impulse flashover voltage	positive	kV	50	50	75	70
	negative	kV	70	70	95	85
Low-frequency puncture voltage		kV	50		70	
Radio-Influence Voltage Data	test voltage,rms to ground	kV	5	5	5	5
	maximum RIV at 1000kHz	μ V	2500	50	2500	50
Net weight		pounds	1.2		1.4	
Applicable Standard			ANSI C29.5			



▪ FIG 3.1.1



▪ FIG 3.1.2

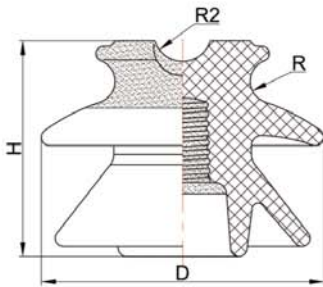


▪ FIG 3.1.3

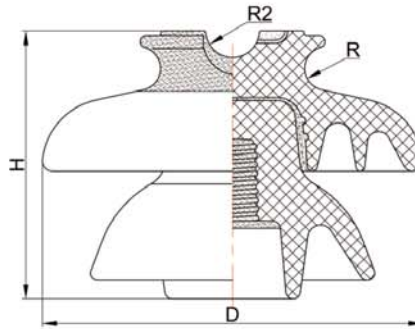
3.1 Pin type insulators ANSI C29.5

55-3		55-4		55-5		55-6		55-7	
3.1.3									
Plain	Radio Freed	Plain	Radio Freed	Plain	Radio Freed	Plain	Radio Freed	Plain	Radio Freed
C		F		F		J		J	
13.2		13.2		13.2		15/25		15/25	
7		9		12		15		15	
4-1/2		5		6-1/4		8		8	
3-3/4		4-3/8		4-7/8		5-1/2		5-1/2	
4-3/4		5-1/2		7		8-3/8		8-3/8	
2-1/4		2-7/8		2-7/8		3-1/2		3-1/2	
9/16		9/16		9/16		5/8		5/8	
9/16		1		1		1		1	
2500		3000		3000		3000		3000	
65	55	70	65	85	80	100		100	
35	30	40	35	45	45	50		50	
100	90	110	105	140	130	150		150	
130	110	140	130	170	150	170		170	
90		95		115		135		135	
10	10	10	10	15	15	22	22	22	22
5500	50	5500	50	8000	100	8000	100	8000	100
2.4		3.7		6.4		/		/	
ANSI C29.5									

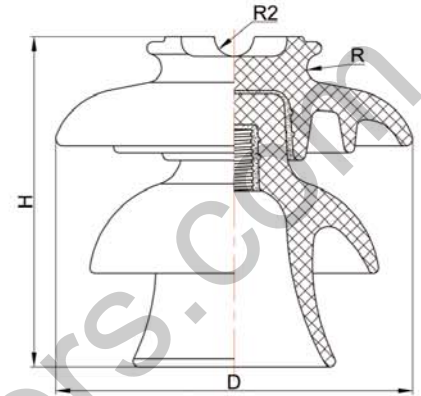
POWER SYSTEM



▪ FIG 3.2.1



▪ FIG 3.2.2



▪ FIG 3.2.3

3.2 Pin type insulators ANSI C29.6

ANSI class	Unit	56-1	56-2	56-3	56-4	56-5	
Figure No.		3.2.1	3.2.2		3.2.3		
Neck Designation		J	K	K	/	/	
Voltage Rating (U.S.Practice)	kV	23	23	34.5	46	69	
Creepage distance	inches	13	17	21	27	34	
Dry-arcing distance	inches	7	8-1/4	9-1/2	11-1/4	14	
Main dimensions	H	inches	5-3/4	6-1/2	7-1/2	9-1/2	12-1/2
	D	inches	7-1/2	9	10-1/2	12	13-1/2
	R	inches	9/16	9/16	9/16	9/16	9/16
	R2	inches	3/4	3/4	3/4	3/4	3/4
Cantilever strength	pounds	2500	3000	3000	3000	3000	
Low-frequency flashover voltage	dry	kV	95	110	125	140	175
	wet	kV	60	70	80	95	125
Critical impulse flashover voltage	positive	kV	150	175	200	225	270
	negative	kV	190	225	265	310	340
Low-frequency puncture voltage	kV	130	145	165	185	225	
Radio-Influence Voltage Data	test voltage,rms to ground	kV	15	22	30	30	44
	maximum RIV at 1000kHz	μ V	100	100	200	200	200
Net weight	pounds	7.7	11.0	17.6	24.3	30.9	
Applicable Standard		ANSI C29.6					